



QUICKSERVICE PROGRESSIVE CAVITY PUMP

**CavityComfort progressive
cavity pump: quicker
service, straightforward
and more practical**

V/OGELSANG
ENGINEERED TO WORK



POWER-PERFORMER WITH MAXIMUM SERVICING CONVENIENCE

The practical CavityComfort progressive cavity pump for heavy-duty applications



Sturdy Cardan shaft with protective sleeve; this does not have to be removed for rotor or stator change.

Easy and quick service with a highly compact footprint

Seal replacement without opening the pump

Quality cartridge mechanical seal

No disassembly of pipes necessary

Clever combination: Reliable pumping and simple parts replacement

As rotating, positive displacement pumps, Vogelsang's CavityComfort (CC series) have proven themselves especially in demanding applications. The robust progressive cavity pumps demonstrate their durability and reliable pumping performance in applications involving highly viscous and abrasive media that may also have a high content of foreign matter. Thanks to the innovative design, CC series pumps are especially favored when long periods of downtime for service and maintenance are simply unacceptable.

The principle

The CC progressive cavity pumps from Vogelsang combine a helical rotor with a stator surrounding the rotor, which also has a helical mount. Because of their geometry and the eccentric rotation of the rotor, cavities are created within the stator through which highly viscous media can be pumped. Since the pumping principle relies on sealing contact between the rotor and stator, pumping against high pressures is also possible without loss of power.

SERVICEplus: Unique concept for rapid parts replacement

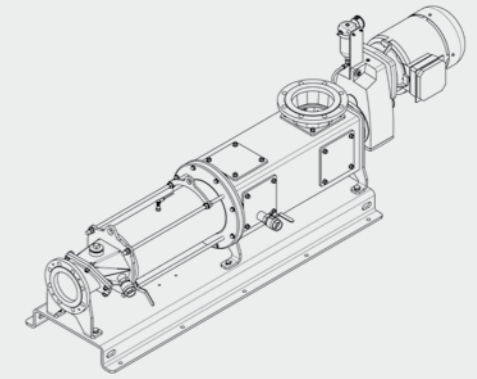
Our customers appreciate the straightforward accessibility of pumping elements in CC series pumps. This enables parts to be replaced with speed and ease unparalleled among progressive cavity pumps – so the pump is ready for operation again in a short time. The stator and rotor to be replaced are simply replaced as a unit. The entire rotating unit (stator, rotor and Cardan shaft) can also be replaced if necessary. Alternatively, the stator can be removed after pivoting the pumping elements as unit out. Next the rotor and/or Cardan shaft are replaced, if necessary. But however you decide to proceed, it is not necessary to remove the sleeve that protects the robust Cardan shaft. And thanks to the clever swiveling mechanism, it's not necessary to disassemble parts of the pipe system for maintenance and repair.

Practical sealing change

The tried-and-trusted cartridge mechanical seal is used for the pump shaft seal. Since it is a preassembled mechanical seal, it can be quickly and easily replaced on-site – usually after removing the Cardan shaft through the pump chamber. When the parallel shaft geared motor is removed, the seal is accessible from the drive end, where it can be replaced with just a few motions – without opening the pump.

Clever details ensure a long lifetime

In designing the CC series, the Vogelsang developers worked to optimize many factors that affect service life. To prevent faults, for example, the Cardan shaft is generously dimensioned and is protected by a durable sleeve as standard. Sturdy parallel shaft geared motors supply the drive power. The flow-optimized StreamLine suction housing ensures extremely large free passage within the entire pump and avoids blockages. As an alternative, the MultiConnect suction housing allows multiple pipe systems of different sizes and connector forms to be easily and directly connected. The integrated stone trap protects against damage caused by heavy matter.



SPECIFICATION

CC series®

Type*	Max. capacity**	Max. pressure	Max. free passage
	m ³ /h	bar	mm
CC44-M1	40	6	63
CC44-M2	40	12	63
CC44-D1	80	6	63
CC55-M1	80	6	73
CC55-M2	80	12	73
CC55-D1	165	6	79
CC66-M1	145	6	88
CC66-M2	145	12	88
CC66-D1	290	6	95
CC77-M1	225	6	108
CC77-M2	225	12	108

* D1/M1: single-stage progressive cavity pump, M2: two-stage progressive cavity pump

** Maximum theoretical capacity. In practice, the capacity is normally lower, depending on pressure difference, medium viscosity and pump installation.

Advantages of CC series®:

- Easy and quick to service with minimal space requirements
- No disassembly of pipelines necessary
- Quality Cartridge mechanical seal
- Seal replacement without opening the pump
- Sturdy cardan shaft with protective sleeve
- Rotor, stator or seal replacement without dismantling the protective sleeve

What we offer

We provide solutions in the following sectors:
AGRICULTURE, BIOGAS, INDUSTRY,
TRANSPORTATION, WASTE WATER



Our broad range of products and services

- Consulting and service
- Data management and control technology
- Disintegration technology
- Individually tailored solutions for special applications
- Pumps and pump systems
- Solid matter feeders
- Solids reduction, separators and mixers
- Spreading technology
- Supply, disposal and cleaning

Copyright 2018 Vogelsang GmbH & Co. KG

Product availability, appearance, technical specifications and details are subject to continuous development. All information presented here is therefore subject to change.

In selected countries, Vogelsang®, ACC®, BioCrack®, BioCut®, CC-Serie®, CFC®, EnergyJet®, HiFlo®, PreMix®, RotaCut®, XTill® and XRipper® are registered trademarks of Vogelsang GmbH & Co. KG, Essen/Oldb., Germany. All rights reserved, including the rights to all graphics and images.

QuickService Progressive Cavity Pump_EN_05207718_1000_MET0606 – Printed in Germany

Vogelsang GmbH & Co. KG
Holthoeye 10-14 | 49632 Essen/Oldb. | Germany
Phone: +49 5434 83-0 | Fax: +49 5434 83-10
germany@vogelsang.info

vogelsang.info